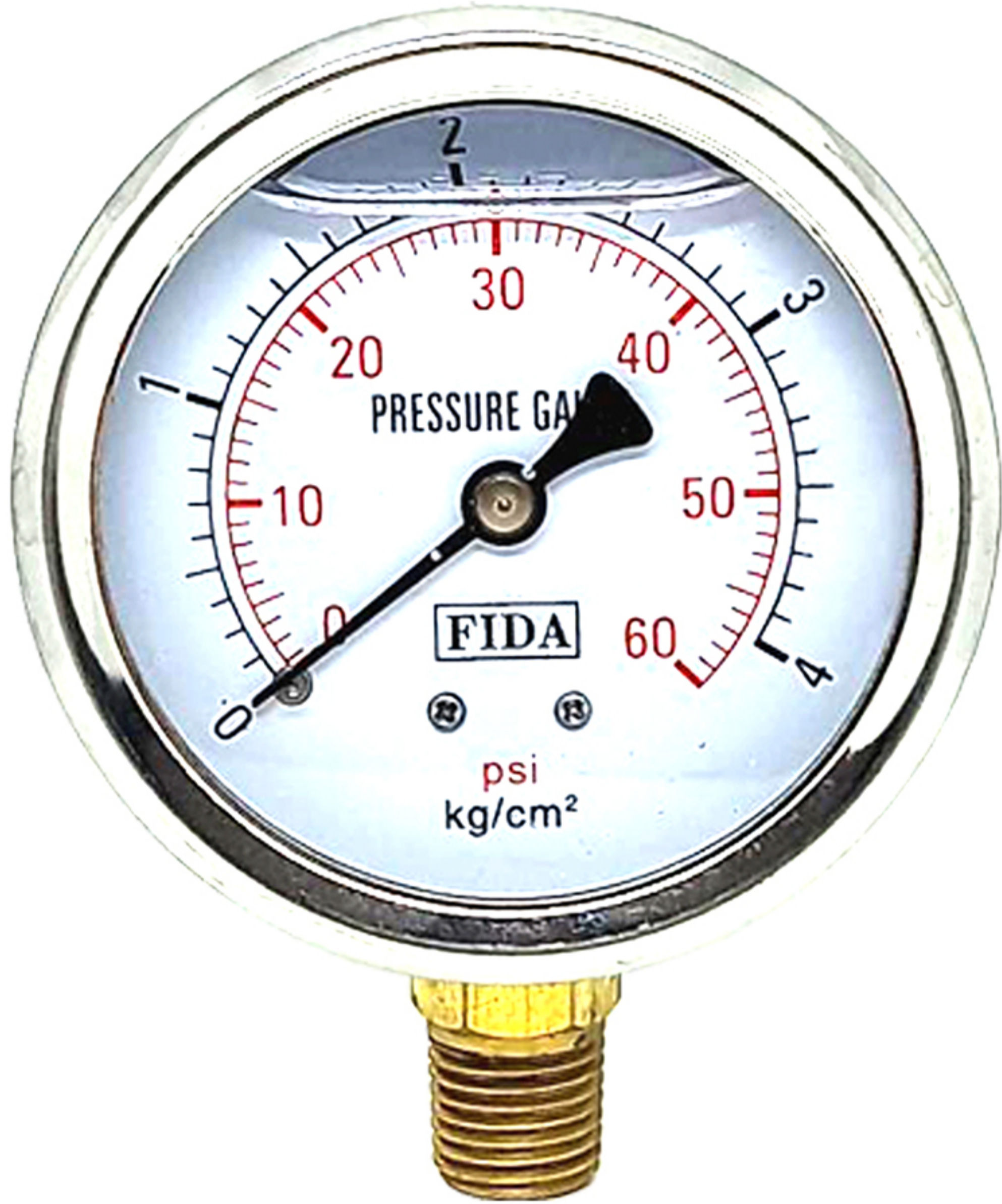


MODEL: PG-73

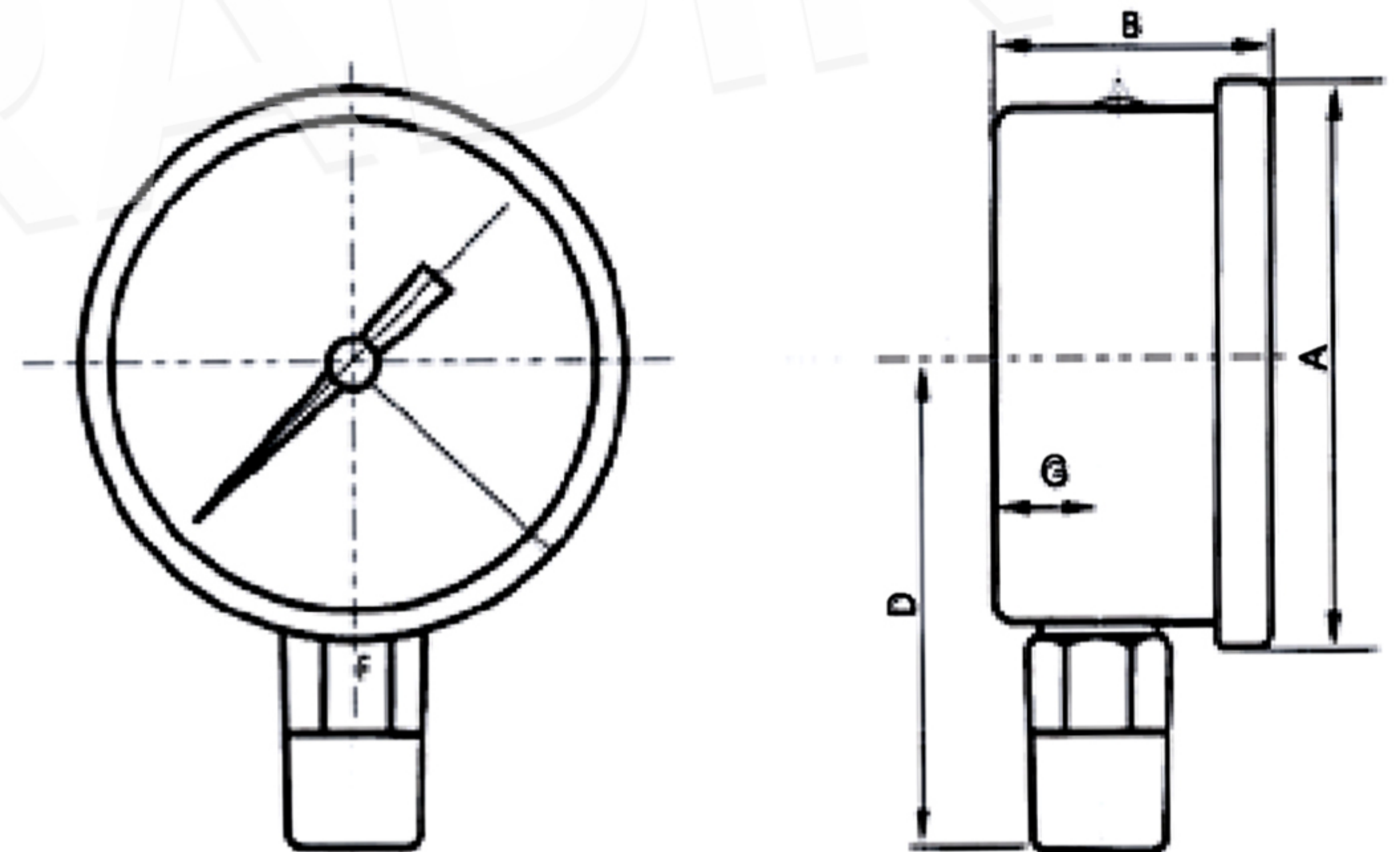


Features:

- Working Pressure: Min. 25% of the full scale value
Max. 75% of the full scale value
- Ambient Temperature: -25~+65 °C
- Radial Type / Oil

Material:

No.	Part	Material
1	Case	SUS304
2	Bezel	SUS304
3	Window	Glass
4	Corrugated Pipe	Phosphor Bronze
5	Machine Core	Brass
6	Oil	Glycerine



Range:

kg/cm ²	4	7	10	15	20	30	50	100	150	200	250	300	350	400	450	500
--------------------	---	---	----	----	----	----	----	-----	-----	-----	-----	-----	-----	-----	-----	-----

Unit : mm

Model	SIZE	A	B	D	G	F	NPT
PG73-2 1/2"	2 1/2"	68	29.8	57	9.5	S14	1/4"
PG73- 4"	4"	107	35.5	88	11.5	S17 S22	3/8" 1/2"